

# udp 3D/plus

- easy adjustable to contact sites on handler
- adaptable to various handler, prober and test heads
- easy conversion of different test head types
- one person operation even for large test heads
- compatible to test head dockings
- adjustable z stack



# udp 3D / plus

## key features

x, y and z position moveable to contact sites without tools  
full access to contact site on handler or test head after undocking  
solid mechanical actuation  
modular design - adaptable to various test heads - with insert solution  
guide pins for pre-alignment

## specifications

z-stack adjustment of 35 mm with high precise digital scale (udp 3D)  
z-stack adjustment with spacers by 0.1 mm (udp plus)  
x and y axis movement of 180 mm in x by 60 mm in y  
low profile of docking plate  
adaptable to common test heads and handler

## configurations

modular design set up to  
customers request

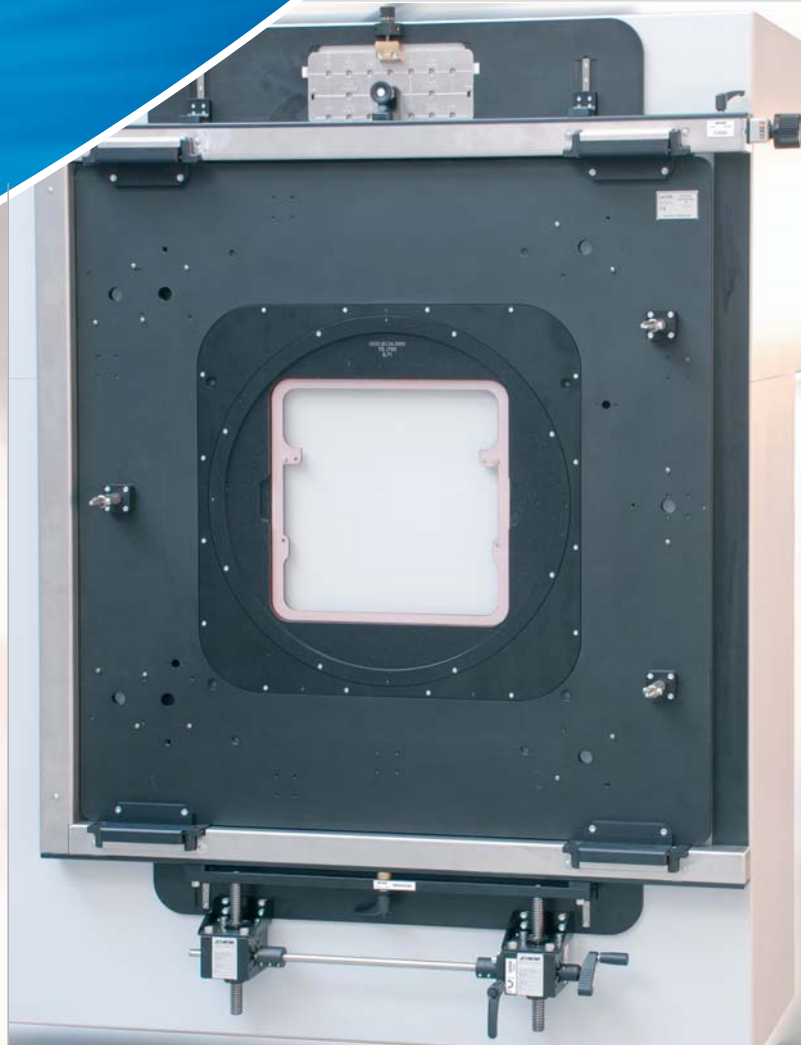
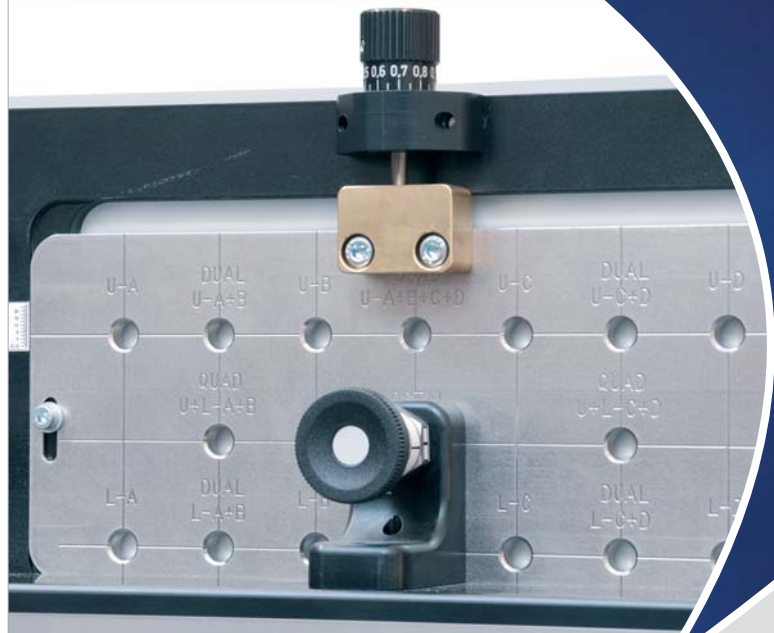
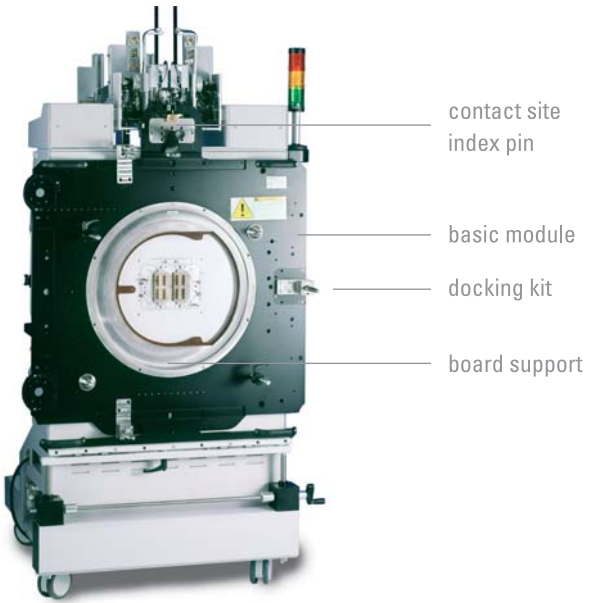
## typical adaptations

handler:  
rasco: SO1000, SO1800, SO2000  
multitest: MT 93xx, MT 95xx, MT 99xx  
delta: delta castle, delta flex  
seiko-epson: 6000, 7000

tester:  
advantest, verigy (agilent), credence, eagle, ltx, teradyne

subject to technical change  
without prior notice  
© 2007

dimensions





esmo ag phone +49-8031-233 88 0  
brückenstrasse 1 fax +49-8031-233 88 10  
d-83022 rosenheim sales@esmo-ag.com  
germany www.esmo-ag.com

esmo asia pte. ltd. phone +65-6562-8833  
25 international business park fax +65-6562-8860  
#03-112 german centre sales@esmo-asia.com  
singapore 609916 www.esmo-ag.com

esmo usa inc. phone +1-408-982 9911  
3350 scott blvd., suite #6102 fax +1-408-982 9933  
santa clara, ca 95054 sales@esmo-usa.com  
usa www.esmo-ag.com